



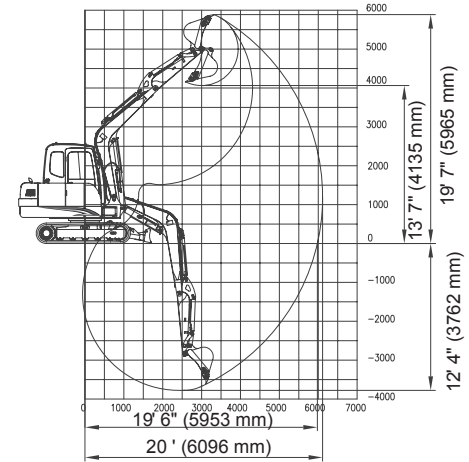
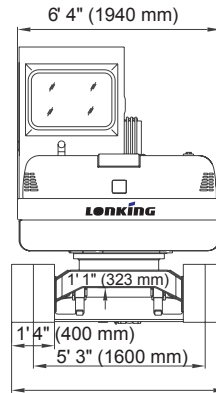
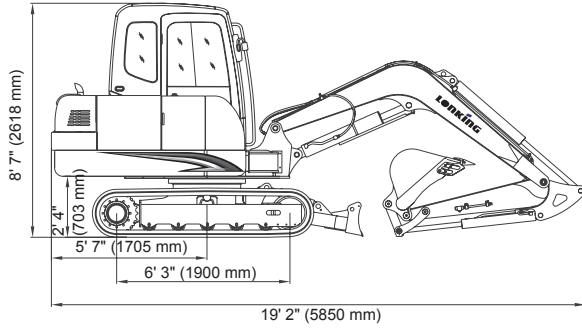
Lonking

CDM6065

EXCAVATOR

- **YANMAR TIER 3 ENGINE**
- **AUXILIARY HYDRAULICS**
- **REXROTH PUMPS/VALVES**
- **24" PADS**
- **BLUETOOTH HD RADIO**
- **NAVMAN TELEMATICS**

OPERATING WEIGHT	13,338 lb (6050 kg)
ENGINE POWER	62 hp (46,3 kW)
STD BUCKET CAPACITY	0.33 yd ³ (0,25 m ³)
BUCKET BREAKOUT	10,071 lbf (44,8 kN)



ENGINE	Yanmar 4TNV98T-ZSLK
Rated Power	62 hp (46,3 kW) / 2,200 rpm
Cylinders	4
Displacement	202 in ³ (3.3 L)
Aspiration	Turbocharged
Emission Standard	EPA Tier 3 / EU Stage IIIA

POWERTRAIN	
Maximum Travel Speed	
Low	1.6 mph (2,5 km/h)
High	2.8 mph (4,5 km/h)
Drawbar Pull	13,106 lbf (58,3 kN)

HYDRAULICS	Open center, load-sensing
Main Pumps	Variable-displacement
Max. Rated Flow	41.3 gpm (156,2 L/m)
Pilot pump	
Pressure Setting	537 psi (3900 kPa)
System Operating Pressure	
Implement	3,553 psi (24 500 kPa)
Travel	3,553 psi (24 500 kPa)
Swing	3,553 psi (25 000 kPa)
Controls	Pilot levers, short stroke, low-effort hydraulic pilot controls with shutoff lever
Cylinders	
Boom (Bore×Stroke)	4.7 x 26.1 in (120 x 662 mm)
Arm (Bore×Stroke)	3.5 x 29.5 in (90 x 750 mm)
Bucket (Bore×Stroke)	3.3 x 24.1 in (85 x 613 mm)

CAB	ROPS & FOPS
Radio	JVC AHD-75BT High-Def Bluetooth
Telematics	Navman Wireless Qtanium 300

ELECTRICAL	
Batteries	12v
Battery Capacity	80 Ah
Alternator Rating	40 A
Work Lights	3

UNDERCARRIAGE	
Shoes, Triple Semi-Grousers (ea side)	39
Shoe Width, Triple Grouser	16 in (400 mm) Optional: 20 in (500 mm) Optional: 24 in (600 mm)
Bottom Rollers	1
Top Rollers	5

PERFORMANCE	
Operating Weight	13,338 lb (6050 kg)
Bucket Capacity	0.33 yd ³ (0,25 m ³)
Bucket Breakout Force	10,071 lbf (44.8 kN)
Arm Crowding Force	7,059 lbf (31.4 kN)
Max. Digging Depth	12.34 ft (3762 mm)
Max. Digging Reach	19.53 ft (5953 mm)
Max. Dumping Height	13.57 ft (4135 mm)
Max. Cutting Height	19.57 ft (5965 mm)